

## MEASURING FOR CURTAINS

### STEP 1: IDENTIFICATION OF WIDTH

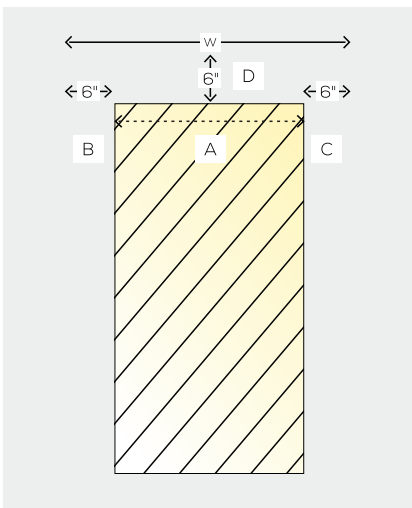
Refer image 1&2 to gather measurement for width to drape curtain over a door or window

A = Width of the window/door from edge to edge

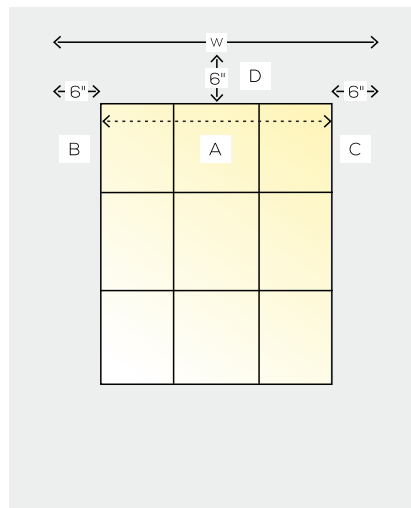
B = 6 inch on the left side

C = 6 inch on the right side

Total Width  $W = A + B + C$



**IMAGE - 1** (Door)



**IMAGE - 2** (Window)

### FYI:

We recommend that you take an additional 6" gap on either side, so that the curtain can stack up on the side and let maximum light come in. When the curtains are closed this additional space will make sure that light doesn't come in. If you notice anything blocking this space or have any obstruction on the site, get in touch with us. We will guide you through it.

### Example Measurement:

- If the edge to edge width measurement of the window/door is 50", then  $A=50$ "
- Add 6 inch on the left, i.e.,  $B = 6$ "
- Add 6 inch on the right, i.e.,  $C = 6$ "

Total width of the hardware and placement of curtain,  $W = 50 + 6 + 6$

$W = 62$ "

### Note:

Point D on the image, i.e., 6 " from the top of the window/door indicates the point from where the hardware will be installed. This is the point from where the curtain will be draped.

## MEASURING FOR CURTAINS

### STEP 2: IDENTIFICATION OF HEIGHT

#### Option 1: For easy cleaning and maintenance (H1)

Refer image 3&4 to gather measurement for height to drape curtain over a door or window.

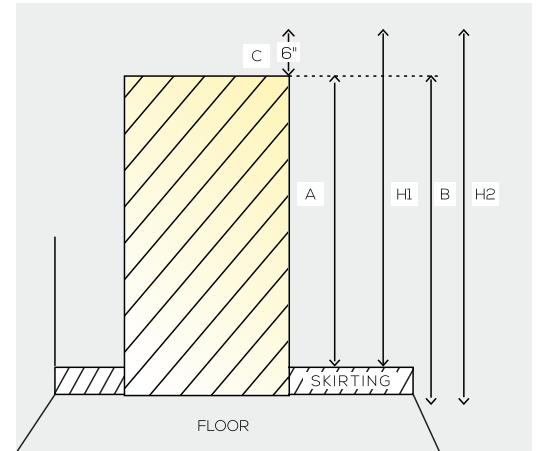
A = Height measured from the top edge of the window/door to the top edge of the skirting

C = 6 inch gap from the top edge of the window/door

Total Height H1 = A + C

#### Note :

Point C on the image, i.e., 6 " from the top of the window/door indicates the point from where the hardware will be installed. This is the point from where the curtain will be draped. The length H1 would ensure that the curtain rests right above the skirting. This means that your curtain does not touch the floor and you can easily carry out cleaning and maintenance.



**IMAGE - 3** (Door)

#### Option 2: For a complete look (H2)

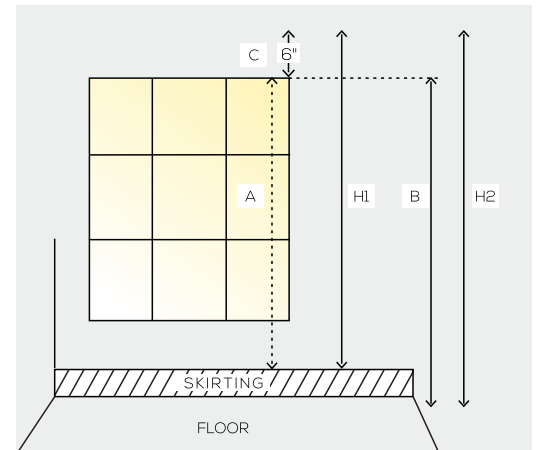
B = Height measured from the top of the window/door to the floor

C = 6 inch gap from the top edge of the window/door

Total Height H2 = B + C

#### Note:

- We recommend that you take in to account 6-inch from the top while measuring the height so that you get the right look and feel.
- If there is any obstruction that is blocking the curtain from reaching the floor, get in touch with us.



**IMAGE - 4** (Window)

### HOW TO RECORD THE MEASUREMENTS:

S.No	Room	Door/Window	Width (Inches)	Height (Inches)	Product
1	Living Room	Door 1	72	90	Curtains
	Living Room	Door 2	72	90	Curtains
	Living Room	Window 1	62	90	Curtains
2	Main Bed Room	Door 1	72	90	Curtains
	Main Bed Room	Window 2	80	90	Curtains